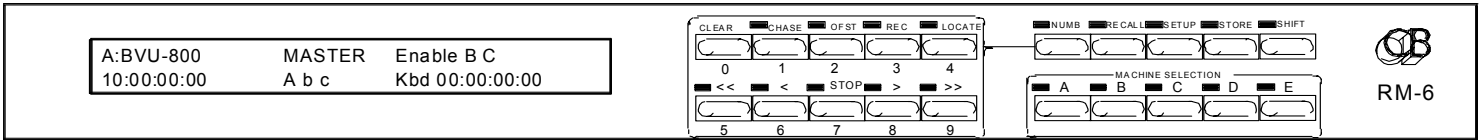




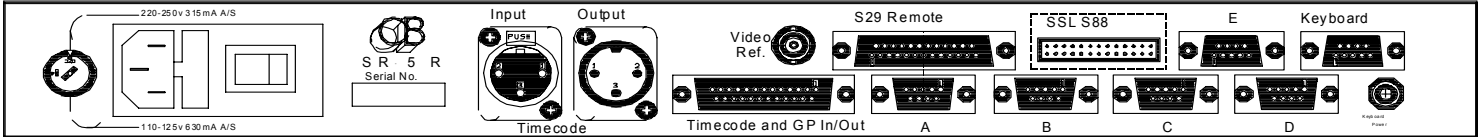
# RM-6 Serial Remote/Synchronizer



2 LINE BY 40 CHARACTER LCD DISPLAY

NUMERIC KEYS BECOME COMMAND KEYS AFTER SHIFT, STORE or RECALL

### Rear Panel

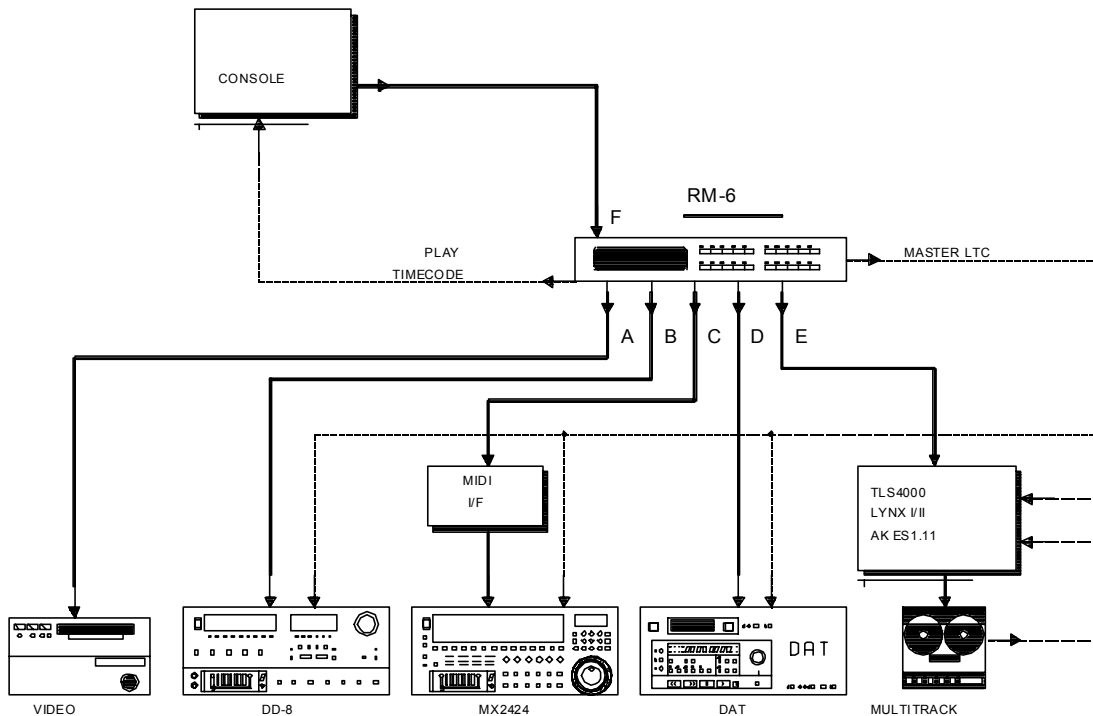


- **Six Serial Ports** ..... 4 Output, 1 Input/Output, 1 Input/Keyboard
- **Real or Virtual Master** ..... Perfect Machine as Master, Tapeless Master
- **1U Rack Mount** ..... Mounts the SSL Computer Rack
- **Optional Remote Panel** ..... Track Arming & Jog/Shuttle
- **S29 Port** ..... Parallel Remote with tallies

The RM Serial remote/Synchronizer uses the same core software as the SR and MR series remote control system. Designed to be used with existing consoles and DAW's this unit will expand a single Sony Protocol serial port to five serial ports. The various serial protocol options allow the RM Synchronizer unit to act as a serial protocol converter.

OEM customers may use the extended Sony protocol to provide a full synchronizer controller interface.

## Typical RM-6 Installation



Note: all units require video syncs

- RM-6** Rack Mount Serial Synchronizer, Full F/P
- RM-6-SSL** Rack Mount Serial Synchronizer, Full F/P, SSL S29 and S88 for 4K and 5K consoles
- RM-6-4** Rack Mount Serial Synchronizer, Blank F/P, SR-4 remote keyboard and display
- RM-6-24** Rack Mount Serial Synchronizer, Blank F/P, SR-24 remote keyboard and display
- RM-6-32** Rack Mount Serial Synchronizer, Blank F/P, SR-32 remote keyboard and display