

# RS422 PORT A

## SERIAL-A

# RS422 PORT B

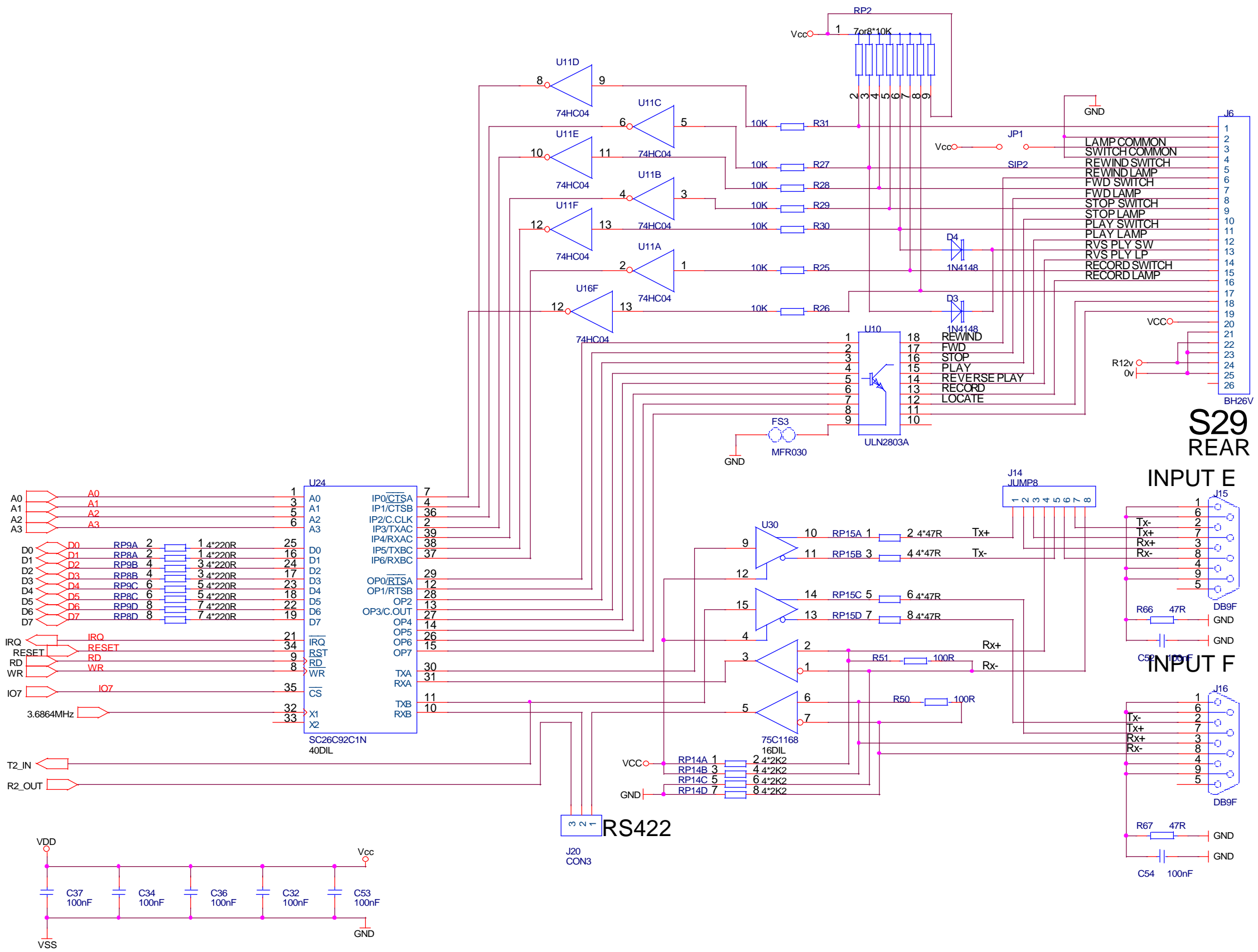
## SERIAL-B

### GPI+TIMECODE REAR

### MASTER T/C

### PLAY T/C

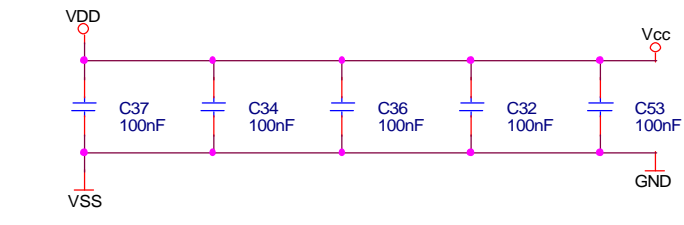
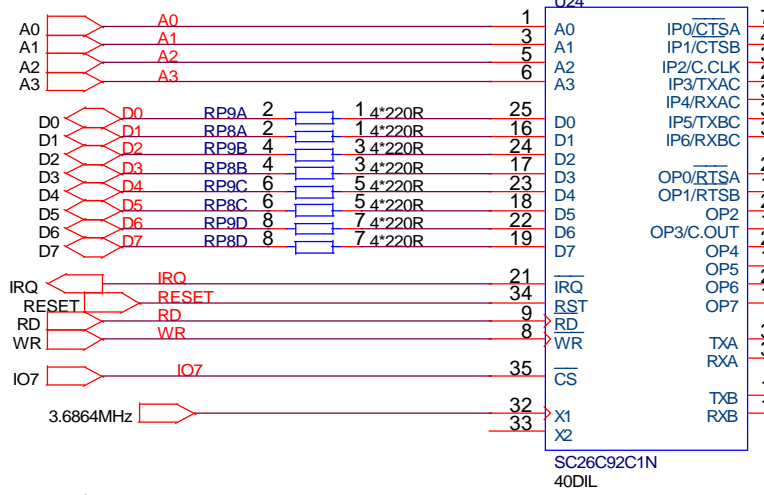
### T/C I/P



**S29  
REAR**

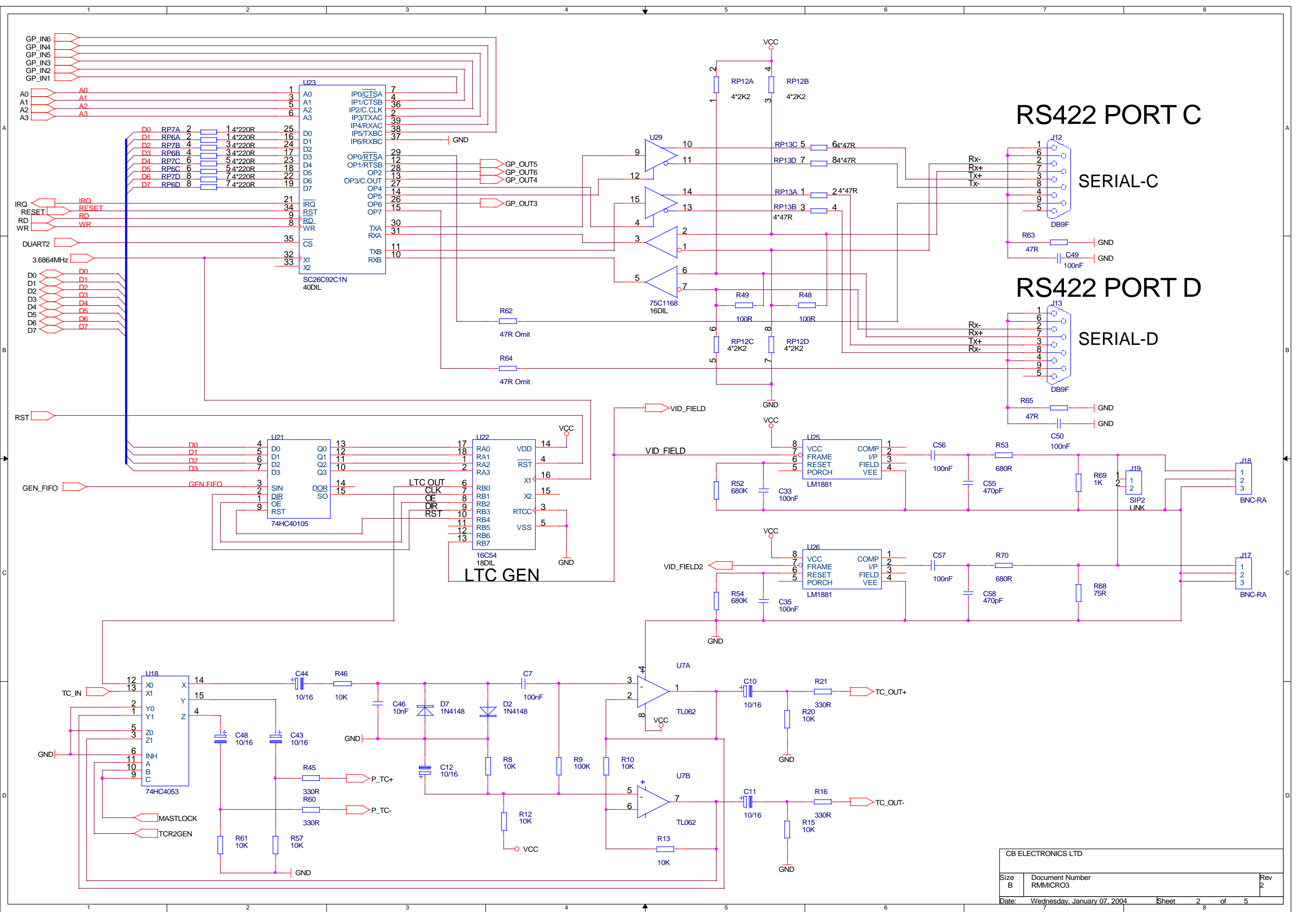
**INPUT E**

**INPUT F**

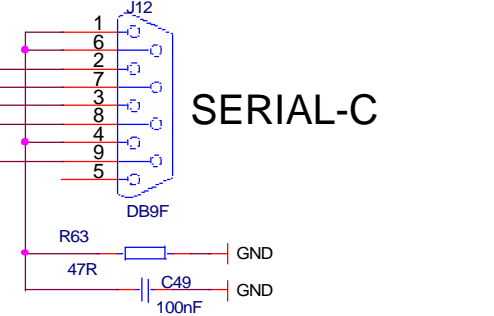


RST\_SW





# RS422 PORT C



# RS422 PORT D

