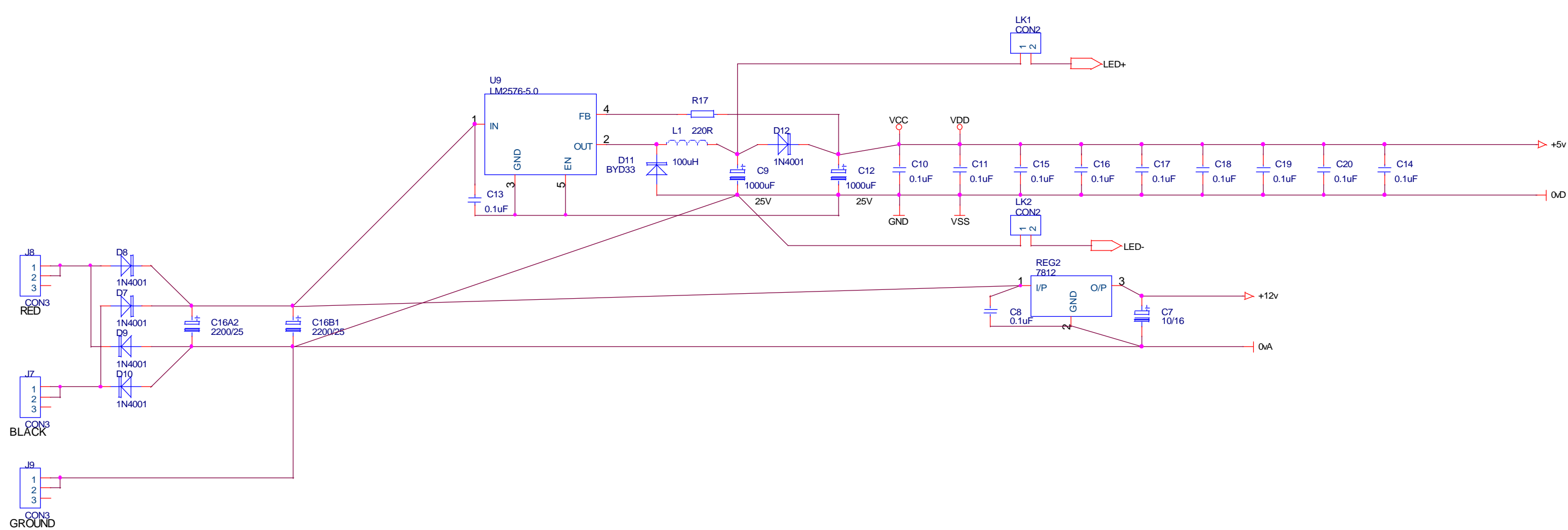


EXPANSION

- 1) PD &/PD SWOPPED
- 2) U1 pins 1, 10, 15 -> GND
- 3) 4K7 ADDED FROM U4 pin 6 TO +5v
- 4) LARGE CAP PITCH CHANGED
- 5) INDUCTOR TYPE CHANGED
- 6) HEAT SINK ON REGULATOR
- 7) VERTICAL MOUNT REGULATOR
- 8) ANOTATE EDGE CONNECTOR

CB ELECTRONICS LODDONSIDE, LANDS END HOUSE, BEGGARS HILL ROAD, CHARVIL, READING RG10 0UD		
Title POWER SUPPLY/POWER FAIL/SYNC SEPERATOR		
Size B	Document Number PSU-1	Rev 1
Date: Friday, July 04, 2003	Sheet 1	of 2



CB ELECTRONICS		
LODDONSIDE, LANDS END HOUSE, BEGGARS HILL ROAD, CHARVIL, READING RG10 0UD		
Title POWER SUPPLY/POWER FAIL/SYNC SEPERATOR		
Size B	Document Number PSU-2	Rev 1
Date: Friday, July 04, 2003	Sheet 2 of 2	