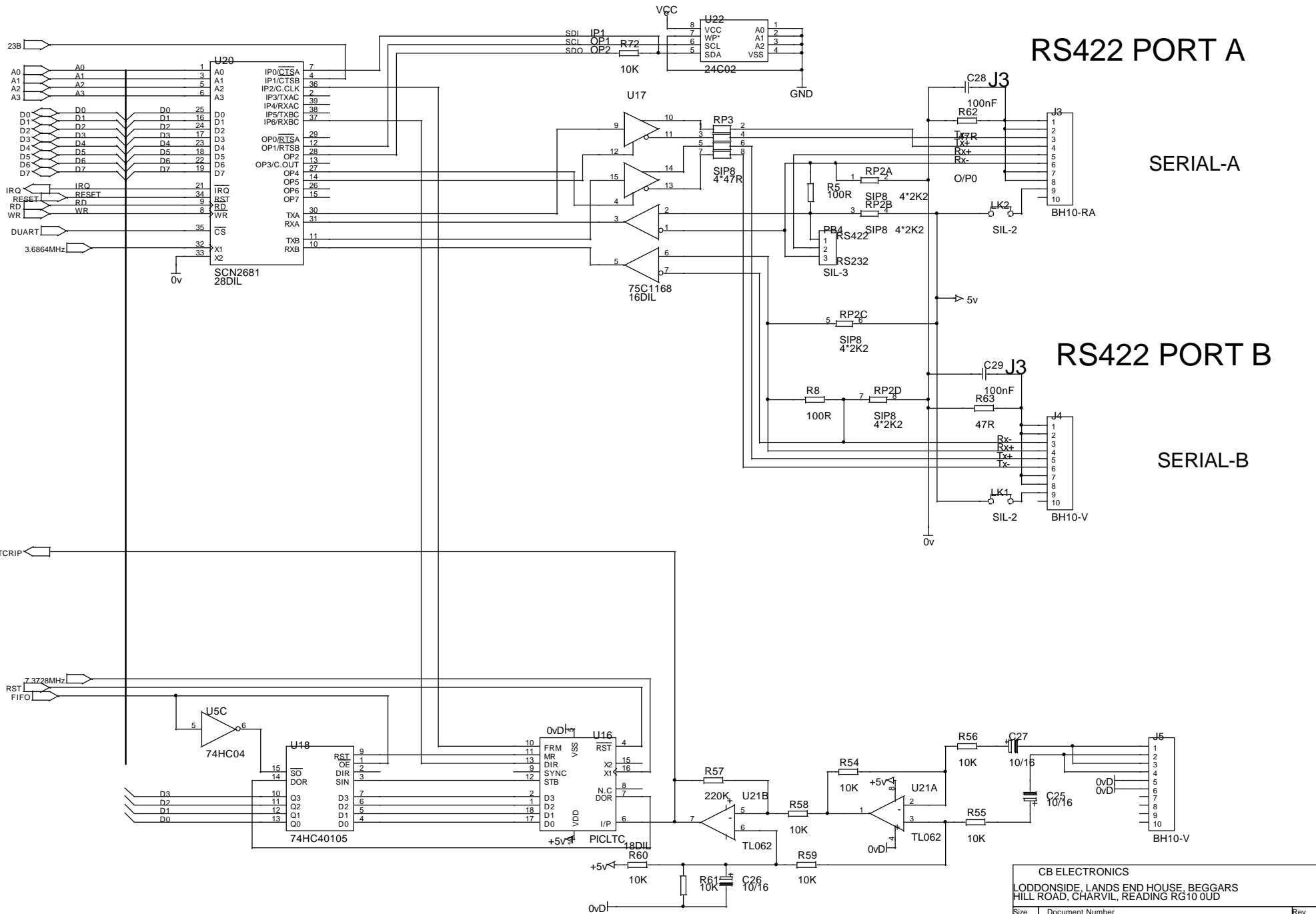


Mod: Connect U12 pin 14 to U15 pin 14

CB ELECTRONICS		
LODDONSIDE, LANDS END HOUSE, BEGGARS HILL ROAD, CHARVIL, READING RG10 0UD		
Size B	Document Number MICRO-D-5	Rev 1
Date: Wednesday, August 07, 2002	Sheet 12	of 13



CB ELECTRONICS
 LODDONSIDE, LANDS END HOUSE, BEGGARS
 HILL ROAD, CHARVIL, READING RG10 0UD
 Size B Document Number MICROD-5-B Rev 1
 Date: Wednesday, August 07, 2002 Sheet 13 of 13